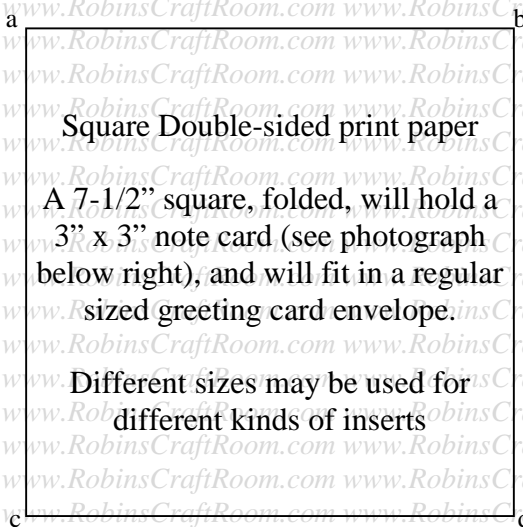


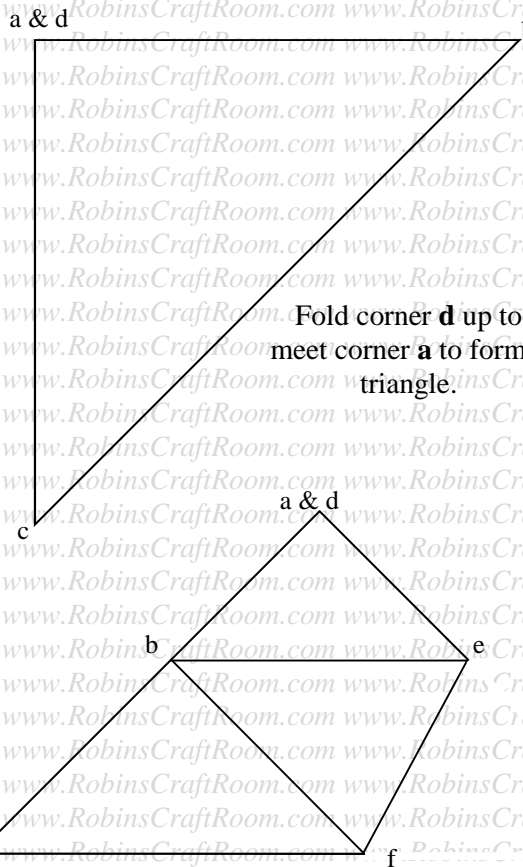
Diaper Fold Gift Pouch



Square Double-sided print paper

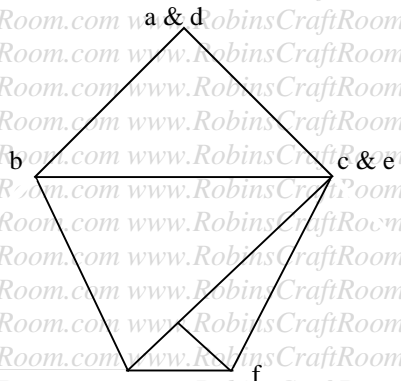
A 7-1/2" square, folded, will hold a 3" x 3" note card (see photograph below right), and will fit in a regular sized greeting card envelope.

Different sizes may be used for different kinds of inserts

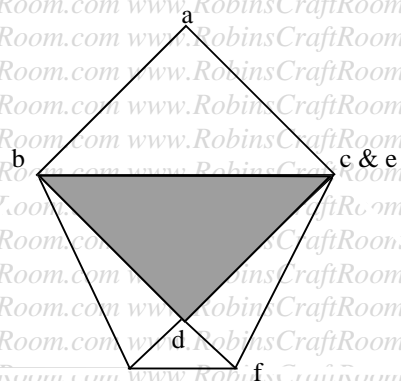


Fold corner d up to meet corner a to form a triangle.

Fold corner b up to meet the edge of the paper between corner c and corner a & d. The edge of the paper that goes between corner b and the new corner e should be parallel to the fold between corner c and the new corner f.



Fold corner c up to corner e



Fold corner d down creating the front of the folded pouch. I found it helpful to apply a bit of adhesive behind the front, to attach it to the body of the pouch, before decorating the front of the pouch



Thanks to Beatte and Split Coast Stampers for the design and instructions for this project.

Simplified instructions written by Robin Messenheimer, robin@RobinsCraftRoom.com